

HT 410 TIMBER/ALUMINIUM ENTRANCE DOOR

HT410 FLUSH OUTSIDE AND INSIDE



Outside view



Inside view

Thermal insulation
(in W/m^2K)



U_D as low as 0.58

Sound reduction
(in dB)



up to 37

Security



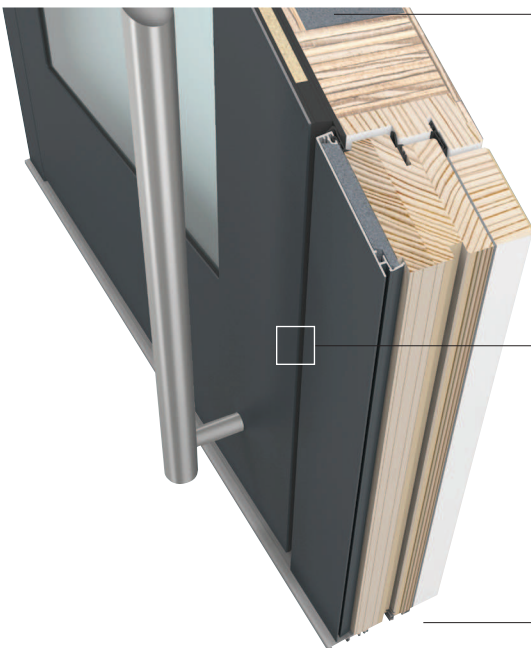
up to WK 2

Design style

studio

Characteristics

- Concealed door hinges
- Narrow square-edged glass frame



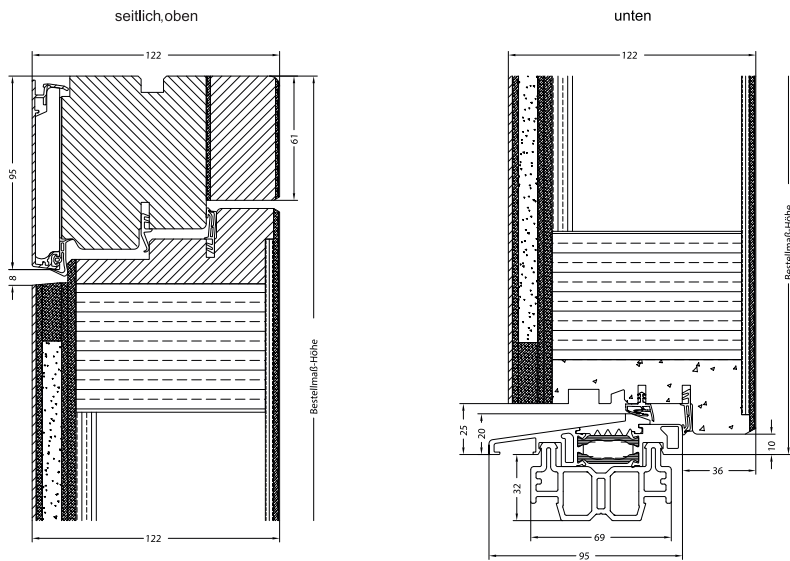
Wide thermal foam insulation
for very high thermal insulation

Flush design inside and outside

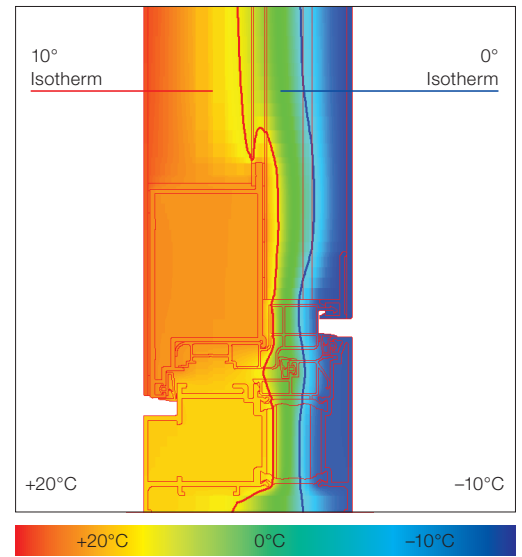
Construction depth 121 mm

TIMBER/ALUMINIUM ENTRANCE DOOR HT 410

Sections



Isotherm



Door models



HT410-17-001



HT410-17-002



HT410-17-004



HT410-17-015



HT410-17-016



HT410-17-018

Online door designer



Internorm Window UK

01/17



✉ quote@altitudealuminium.co.uk

☎ 01244 529199